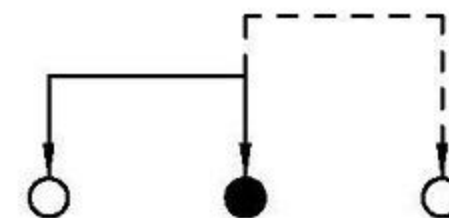
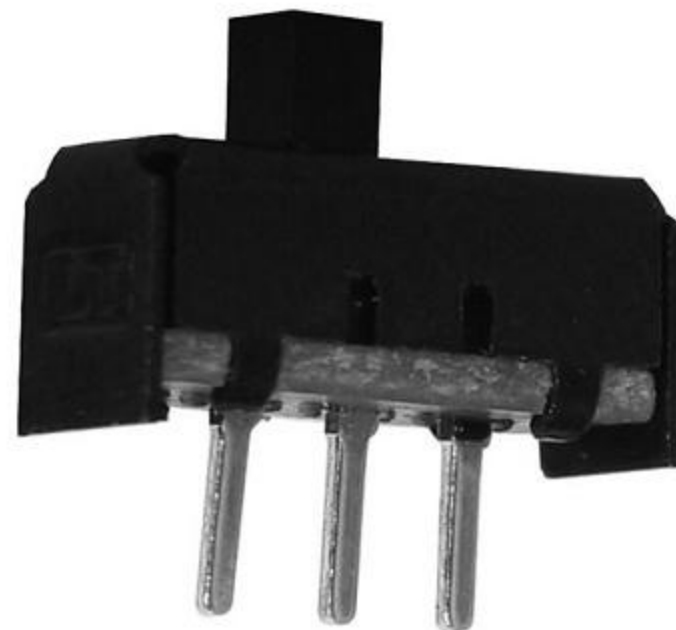
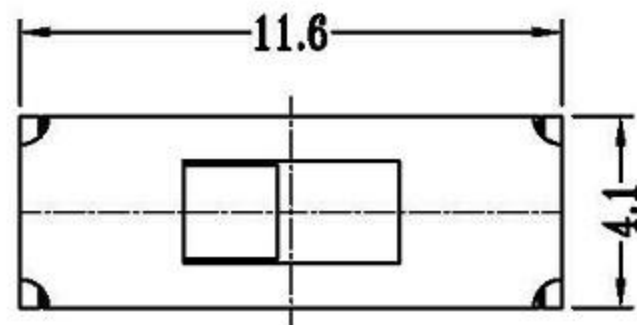
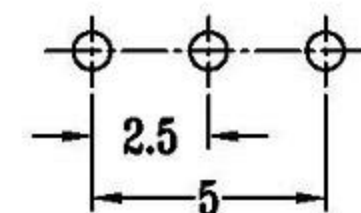
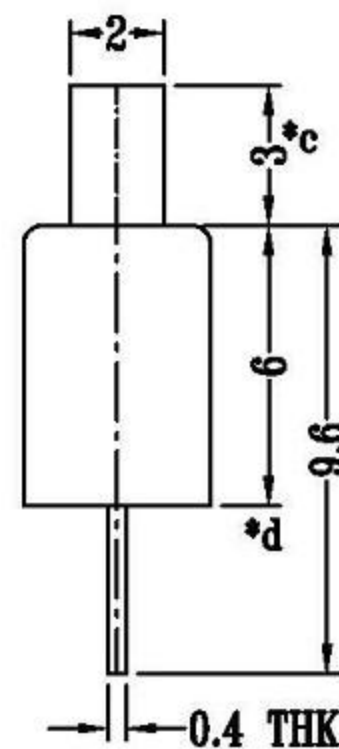
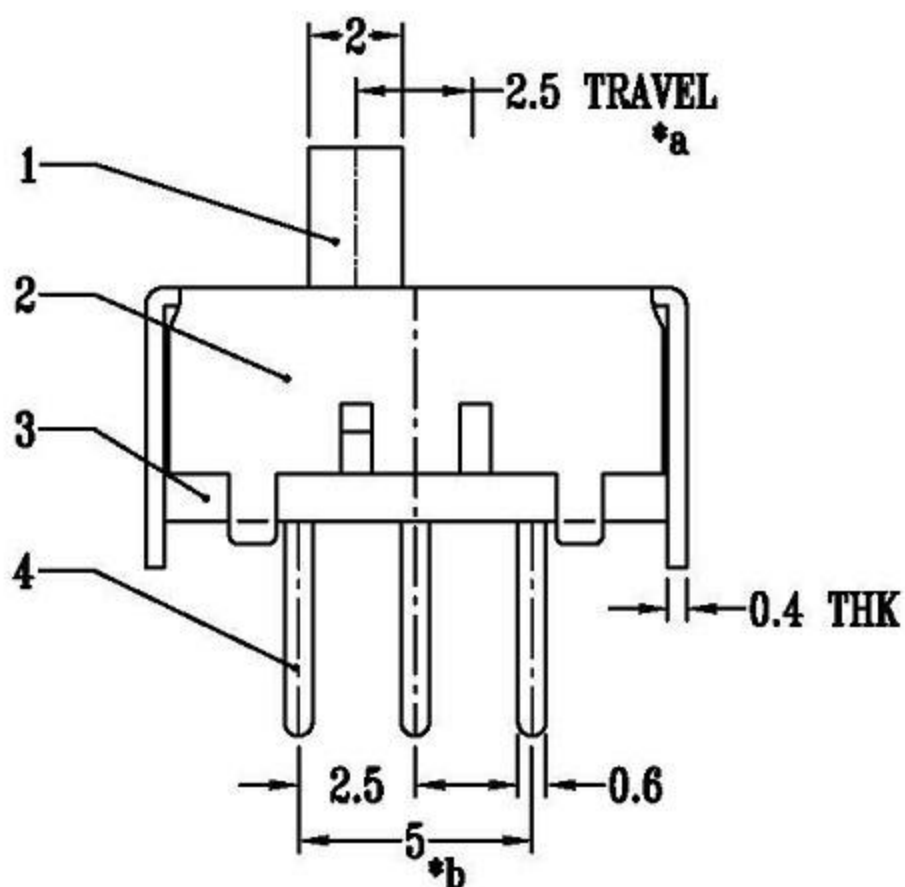


CAD FILE:



SCHEMATIC (SHORTING)



P.C.B LAYOUT
BOTTOM VIEW

注：“*”表示关键尺寸（3个）

8					TOLERANCE				
7					UNLESS SPECIFIED	B	2016-01-25	胶头材料由POM改为耐高温PA66	李小勤
6					WITHIN 1.5mm : ±0.1mm	A	2012-8-7	初版	李小勤
5	CONTACT CLIP	PBS STRIP	1	Ag PLATED	OVER 1.5mm : ±0.2mm	ISSUE	DATE	DESCRIPTIONS OF REVISION	APPD.
4	TERMINAL	BRASS STRIP	3	Ag PLATED	TITLE : VERTICAL SLIDE SWITCH		UNIT : mm	DRWG NO.: LT-DR-SS12E17G3-00	
3	BASE	PHENOLIC RESIN	1	NATURAL	MODEL:		SCALE: 4:1	DWN.	吴开庆 2016-01-25
2	FRAME	STEEL STRIP	1	BLACK	东莞市高迪电子有限公司			CHK'D	李小勤 2016-01-25
1	KNOB	PA66	1	BLACK				APPD.	李小勤 2015-01-25
NO.	PARTS	MATERIALS	Q'TY	FINISH					